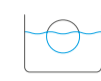


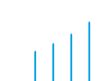


FLAT CONNECTORS X-XXX, DC, DCL

Usage: for structural connection of mounting channels, it allows for multiple adjustment of the fastening opening location in the channel; they ensure reliable connection of flat and spatial fastening systems.

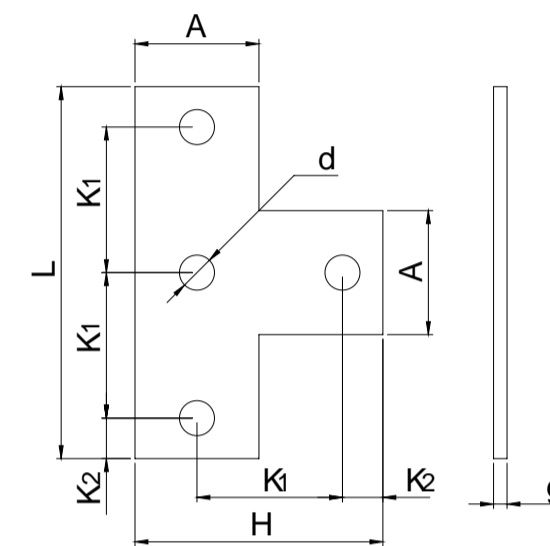
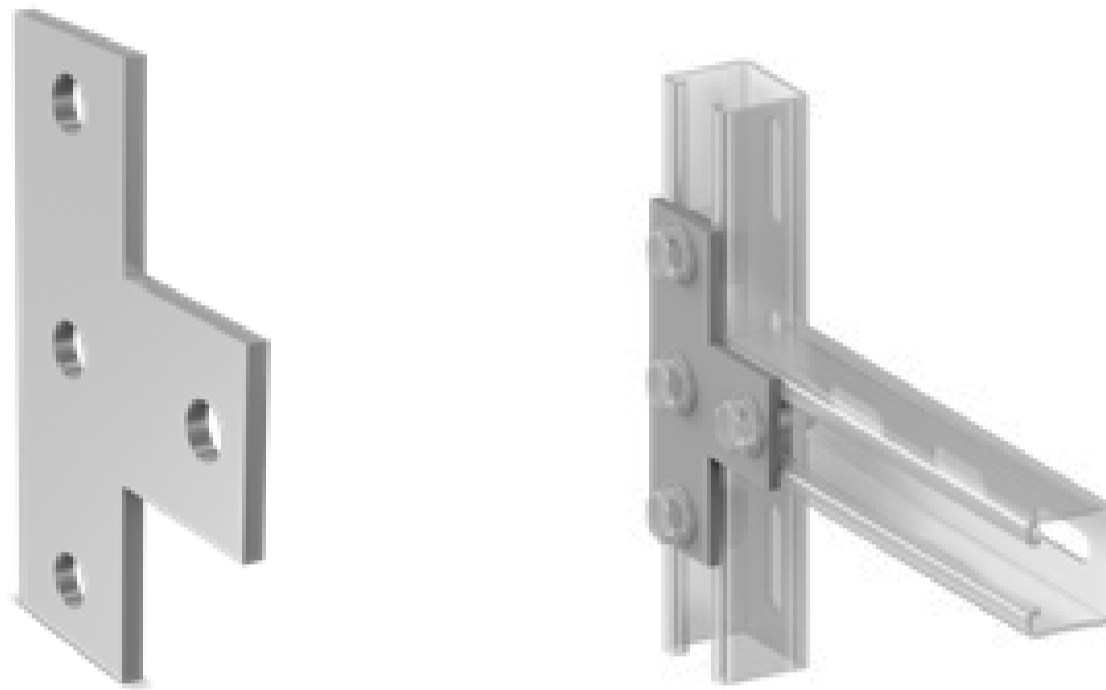


electro-galvanized



Permissible load

X6



For channels	Dimensions					Weight [kg]	Quantity [pcs/pkg]	Designation for the order	Catalogue number
	A x g [mm]	L x H [mm]	K ₁ [mm]	K ₂ [mm]	d [mm]				
A,C, W,X	28,5x4	85,5x57	31,5	11,25	10,5	0,090	10	X6-A	81130060000
MB,ME	46x5	138x92	54	15	13,0	0,310	10	X6-MB	81150060000

CHANNELS
ACCESSORIES

FLAT CONNECTORS X5, X6, X7